

Adjustable Hinge

ASSA ABLOY



The global leader in door opening solutions.

Adjustment Instructions

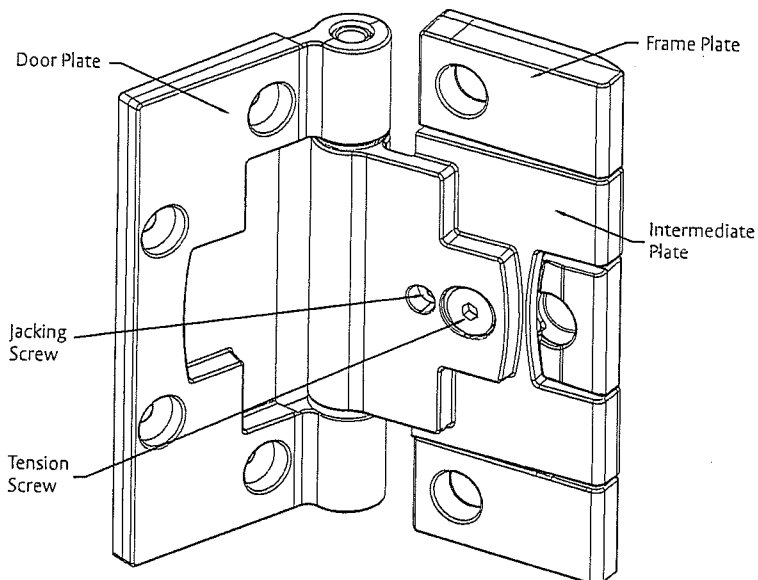
Application:

- Provides adjustment for doors during manufacture or on-site
- For use on Pacific Residential and Pacific Architectural Suite hinged doors

Tools Required:

- 3mm Allen key

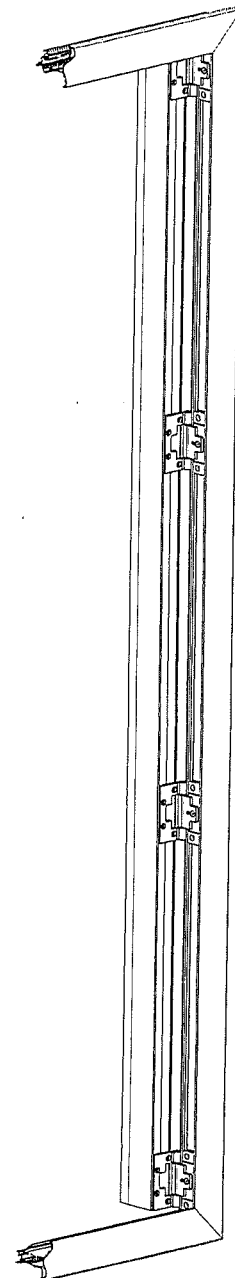
Hinge Details:

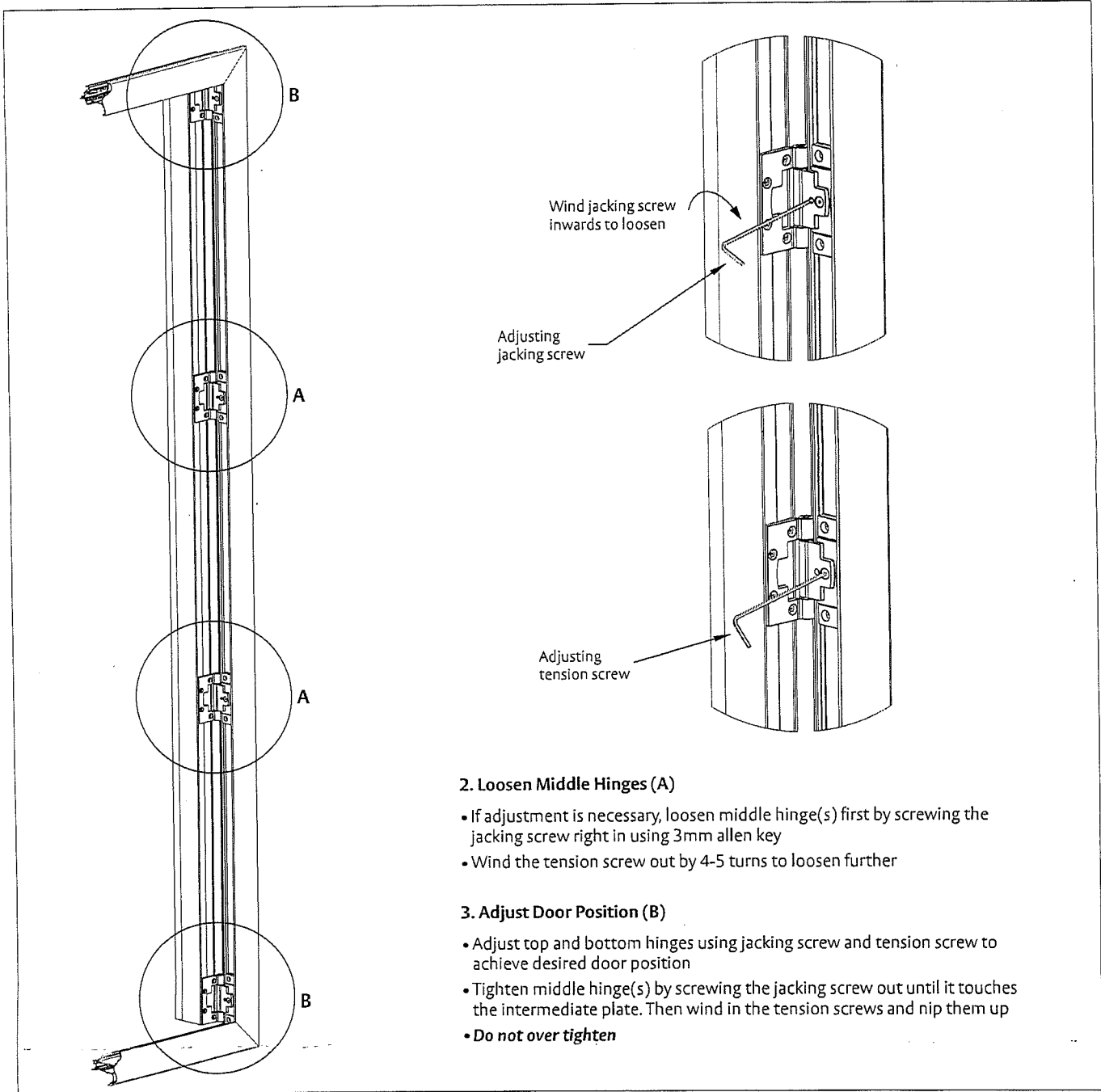


1. Fix Hinges to Door

- Fix hinges onto door and frame before adjusting them

Note: Hinges are set to provide a nominal 5mm gap. In many cases, no subsequent adjustment will be required at all.





2. Loosen Middle Hinges (A)

- If adjustment is necessary, loosen middle hinge(s) first by screwing the jacking screw right in using 3mm allen key
- Wind the tension screw out by 4-5 turns to loosen further

3. Adjust Door Position (B)

- Adjust top and bottom hinges using jacking screw and tension screw to achieve desired door position
- Tighten middle hinge(s) by screwing the jacking screw out until it touches the intermediate plate. Then wind in the tension screws and nip them up
- **Do not over tighten**

Door Configuration:

Hinge Selection and Application Matrix			
Door Height (m)	Door Weight (kg)		
	20 - 40	40 - 60	60 - 80
Up to 2.1	A	B	D
2.1 to 2.4	C	C - D	D

